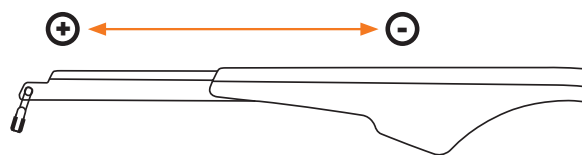
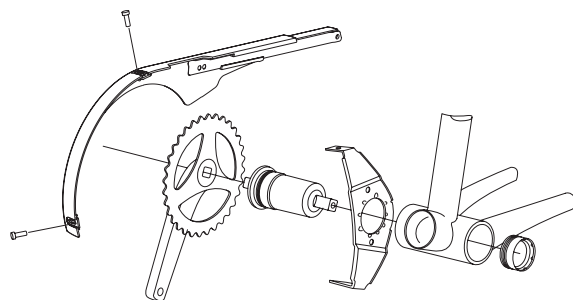
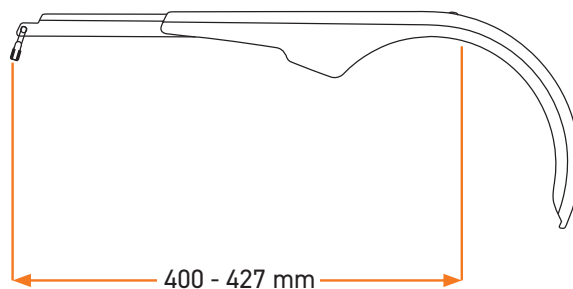



For installation crank and botton bracket have to be disassembled. Special tooling equipment required. Please contact your dealer.



 **ATTENTION:** Please check compatibility of crank.

Plastic chain protector with aluminium profile extension. Extremely light and robust. Resistant to corrosion.